



## Overview

Occupancy Sensor (OCC) provides occupant detection for all Unified Lighting Control platforms. OCC are available with Passive Infrared (IR) and Passive Dual Technology (DT) capability. DT models incorporate both IR and occupant noise detection with advanced filtering to prevent false activation. OCC may be specified for hallway, ceiling mount, and corner / wall mount applications. All models operate on 24VDC and incorporate an isolated relay in addition to standard signaling.

## Features

- UL Listed
- Compatible with all platforms
- Available for various applications

## General Specifications

Construction: White polymer  
 Weight: 4-6oz(113-170g) depending on model  
 Operating Environment: 14-160°F (-10-71°C), 20-90%RH, non-condensing  
 Setup: Button / LED interface sets Time Delay and Minimum On Time

## Electrical Specifications

Power Input / Draw: 24VDC / 16mA  
 Leads: 7.00"(178mm)L, 6-wire  
 Red: 24VDC  
 Black: Ground  
 White: Signal  
 Grey: N/O (relay)  
 Brown: Common (relay)  
 Blue and/or Violet: Unused

## Certifications

UL Listed, US/Canada  
 CEC Title 24  
 RoHS

## Warranty

Two (2) year limited manufacturer warranty from date of shipment (extended warranty optional)

## Hallway OCC Specifications

Available Sensor: IR  
 Detection Capability: Large motion (ex: walking)  
 Detection Range: 70'(21m)  
 Detection Area: 3 position tilt adjustable  
 Mounting Method / Height: Wall surface / 7'(2m)  
 Dimensions: 3.00"(76mm)H x 3.60"(91mm)W x 1.75"(45mm)D  
 Recommended for use in pairs. One sensor at either end of hallway.

## Ceiling Mount OCC Specifications

Available Sensors: IR or DT  
 Detection Capability: Small motion (ex: hand movement)  
 Detection Area at Range: 10-20'(3-6m) radial coverage at mounting heights 8-15'(2-5m)  
 Field of View: 56° in a 360° conical pattern  
 Mounting Method: Ceiling tile surface with 2 self-tapping screws (included), 3.5" octagon box or single gang handy box (not included)  
 Dimensions: 1.55"(39mm)H x 4.55"(156mm)Dia.

## Extended Range Ceiling Mount OCC Specifications

Available Sensors: IR or DT  
 Detection Capability: Large motion (ex: walking)  
 Detection Area at Range: 16-36'(5-11m) radial coverage at mounting heights 7-15'(2-5m)  
 Field of View: 67° in a 360° conical pattern  
 Mounting Method: Ceiling tile surface with 2 self-tapping screws (included), 3.5" octagon box or single gang handy box (not included)  
 Dimensions: 1.55"(39mm)H x 4.55"(156mm)Dia.

## Corner / Wall Mount OCC Specifications

Available Sensors: IR or DT  
 Detection Capability: Small motion (ex: hand movement)  
 Detection Range:  
 40'(12m) small motion (ex: hand movement)  
 70'(21m) large motion (ex: walking)  
 Field of View: 120°  
 Detection Area: 3 position tilt adjustable  
 Mounting Method / Height: Wall surface / 8-10'(2-3m) with tilt adjustment (mounting above 10'(3m) requires Ceiling Mount Bracket)  
 Dimensions: 3.00"(76mm)H x 3.60"(91mm)W x 1.75"(45mm)D

## Ceiling Mount Bracket

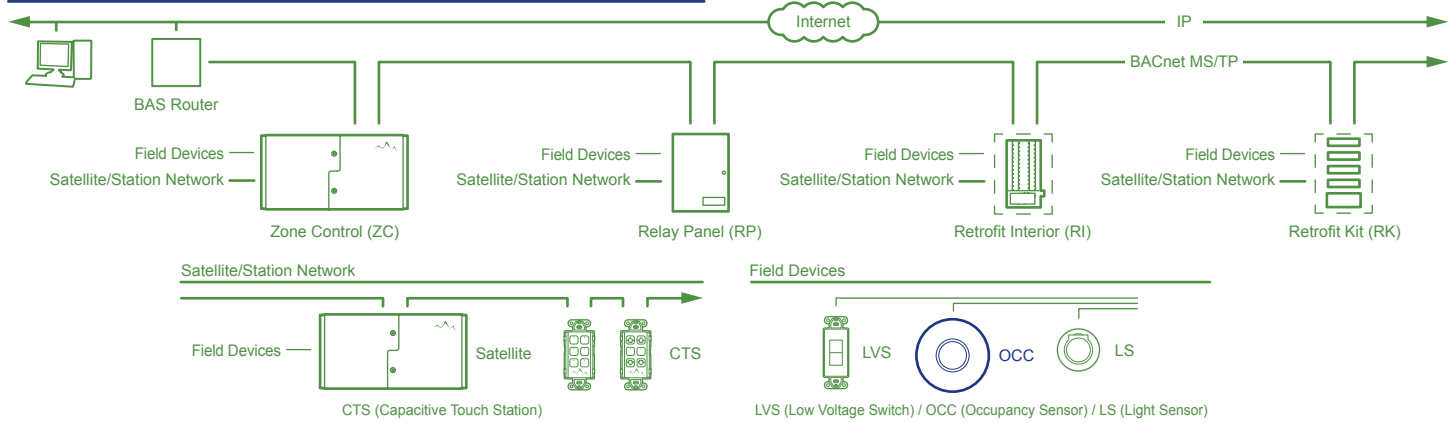
Mounts Corner / Wall Mount OCC to ceiling. Includes vertical and 30° look down mounting positions.  
 Dimensions: 3.50"(89mm)H x 4.55"(156mm)Dia.  
 Mounting Method: Ceiling tile surface with 4 self-tapping screws (included), 3.5" octagon box or single gang handy box (not included)

# Occupancy Sensor

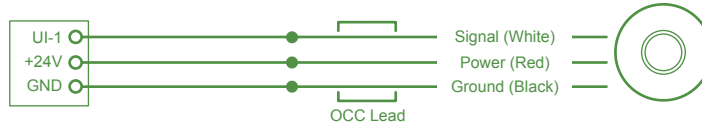
www.BRTint.com : 800-241-9173 Blue Ridge Technologies® © 2014 Blue Ridge Technologies International, LLC All Rights Reserved. OCC-DS-V14.05

Data Sheet : Catalog Page 69

## General Architecture



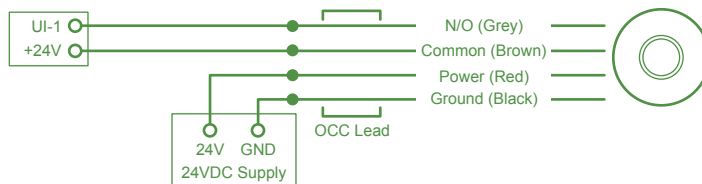
### Universal Input Terminations (Standard)



### Universal Input Terminations (Relay)



### Universal Input Terminations (Relay Externally Powered)



## Ordering Information

Part Number	Description
OSHW-13-R	Hallway Occupancy Sensor, Passive IR with Isolated Relay, 24VDC
OSCM-9-R	Ceiling Mount Occupancy Sensor, Passive IR with Isolated Relay, 360°, 24VDC
OSCM-PDT-9-R	Ceiling Mount Occupancy Sensor, Passive Dual Technology with Isolated Relay, 360°, 24VDC
OSCM-10-R	Extended Range Ceiling Mount Occupancy Sensor, Passive IR with Isolated Relay, 360°, 24VDC
OSCM-PDT-10-R	Extended Range Ceiling Mount Occupancy Sensor, Passive Dual Technology with Isolated Relay, 360°, 24VDC
OSWV-16-R	Corner / Wall Mount Occupancy Sensor, Passive IR with Isolated Relay, 24VDC
OSWV-PDT-R	Corner / Wall Mount Occupancy Sensor, Passive Dual Technology with Isolated Relay, 24VDC
OSWV-BR	Ceiling Mount Bracket for WV-16-R / WV-PDT-R